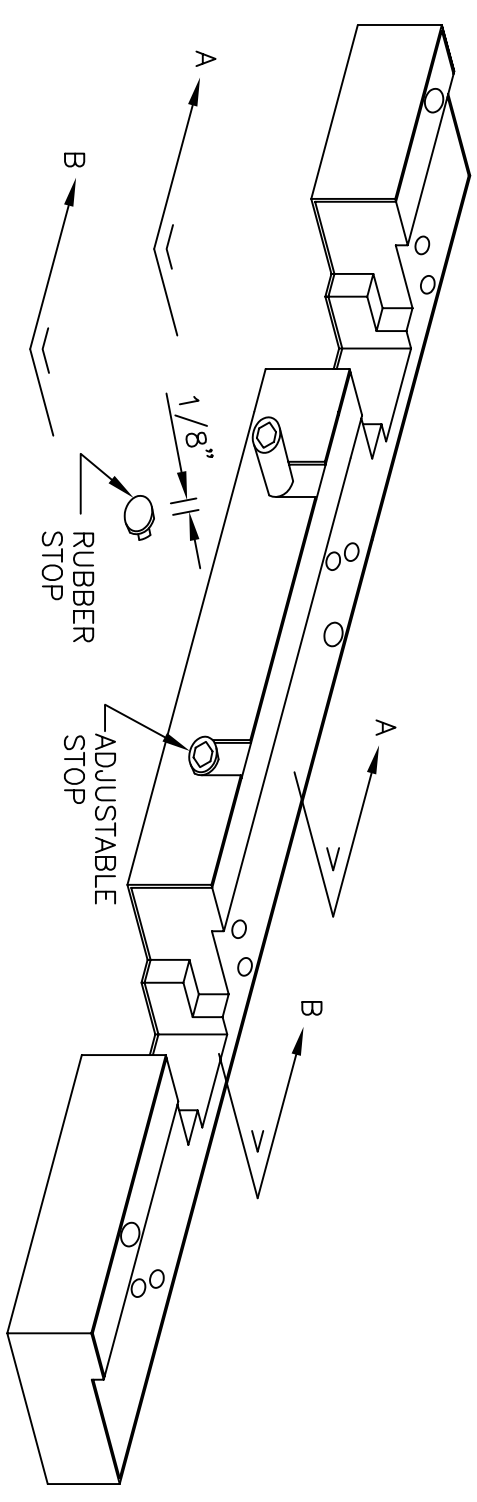


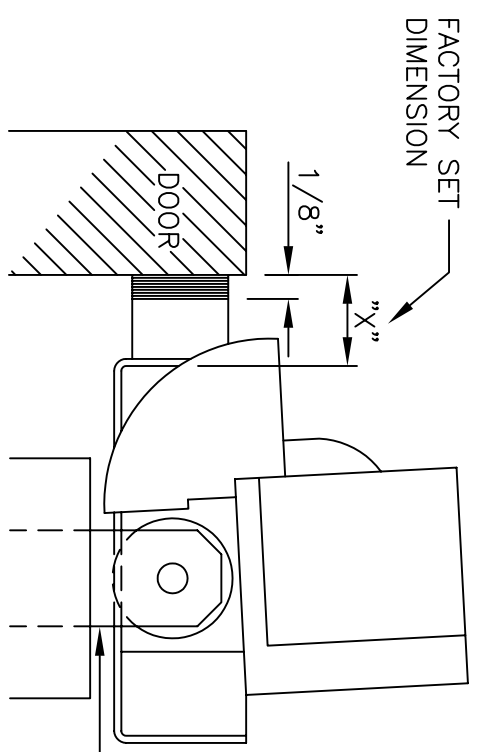
SECTION A-A  
SCALE: FULL SIZE  
1  
DETAIL 1



DOUBLE ADJUSTABLE DOOR STOP/STRIKE/LATCHKEEPER (SHOWN)  
SINGLE ADJUSTABLE DOOR STOP/STRIKE/LATCH KEEPER (SIMILAR)

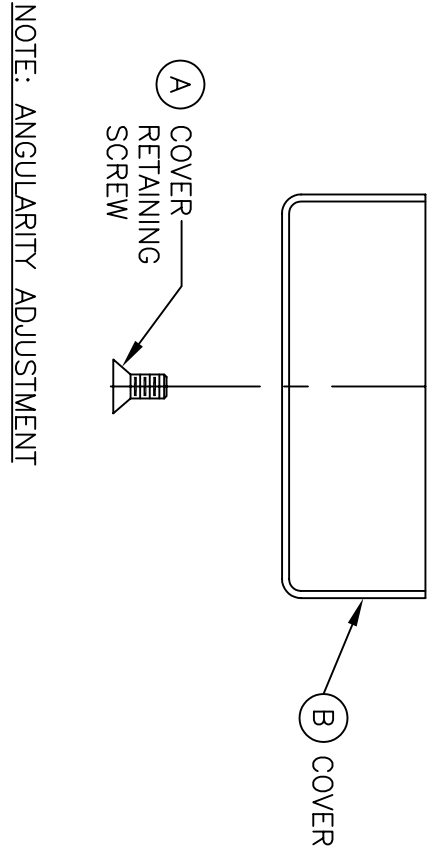
NOTE:

DIM "X" THE RUBBER BUMPER PROJECTION IS PRESET AT BLUMCRAFT'S FACTORY. IF ADJUSTMENT SHOULD BE REQUIRED REMOVE RUBBER BUMPER BY PULLING OUT. THEN WIND OR UNWIND ADJUSTABLE STOP WITH ALLEN WRENCH TO DESIRED LENGTH, ALLOW 1/8" FOR RUBBER BUMPER THICKNESS. WHEN CORRECT PROJECTION IS SET PUSH RUBBER BUMPER INTO ALLEN WRENCH HOLE.



REFER TO NS-831 FOR BOLT ADJUSTMENT INSTRUCTIONS

SECTION B-B  
SCALE: FULL SIZE  
1



NOTE: ANGULARITY ADJUSTMENT

TO ADJUST ANGULARITY OF ELECTRIC STRIKE IF REQUIRED THE DOOR STOP / LATCH KEEPER ASSEMBLY MUST BE REMOVED FROM THE HEADER.

- STEP 1--REMOVE COVER RETAINING SCREWS "A"
- STEP 2--REMOVE COVER "B"
- STEP 3--REMOVE DOOR STOP/LATCH KEEPER MOUNTING BOLTS "C"
- STEP 4--GENTLY LOWER DOOR STOP/LATCH KEEPER "D"
- NOTE: DO NOT DISCONNECT ELECTRIC WIRES
- STEP 5--LOOSEN ELECTRIC STRIKE MOUNTING BOLTS "E"
- STEP 6--ADJUST ANGULARITY SET SCREWS "F" AS REQUIRED.CAUTION:MAXIMUM ANGLE IS 6°.SEE SECTION A-A,DETAIL 1  
(2 SET SCREWS PER ELECTRIC STRIKE)
- STEP 7--TIGHTEN ELECTRIC STRIKE MOUNTING BOLTS "E"
- STEP 8--REASSEMBLE TO HEADER

SECTION B-B  
SCALE: FULL SIZE  
1

TOLERANCES: +.005 DECIMALS - .005  
+ 1/64 FRACTIONS - 1/64  
UNLESS OTHERWISE SPECIFIED

REVISIONS	DATE	DN	CH

INSTRUCTIONS FOR ADJUSTING DOOR STOP/LATCH KEEPER USED WITH BLUMCRAFT PANIC OR DB HANDLE

SCALE AS NOTED & NTS

CHECKED BY TR 8/25/00

DRAWN BY FV 8/25/00

INSTRUCTIONS FOR ADJUSTING DOOR STOP/LATCH KEEPER USED WITH BLUMCRAFT PANIC OR DB HANDLE

DWG. NO. NS-761